

Technical Specifications

Car-O-Liner Mark 6

Power supply:

200/220/400 V 3 phase 50 Hz

110/220 V 1 phase 60 Hz

Draw aligner capacity: 10 metric tons

Length: 4060 mm (13.3 ft)

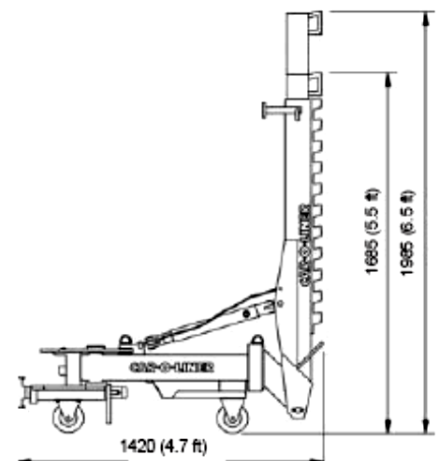
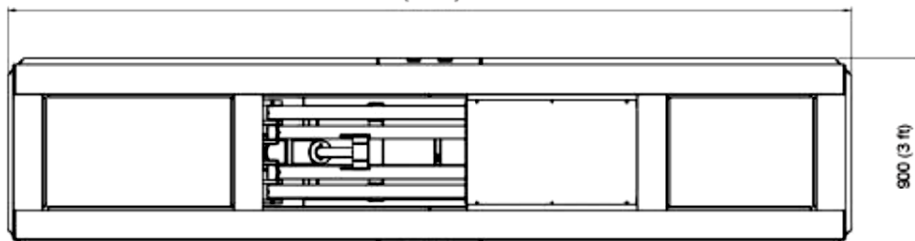
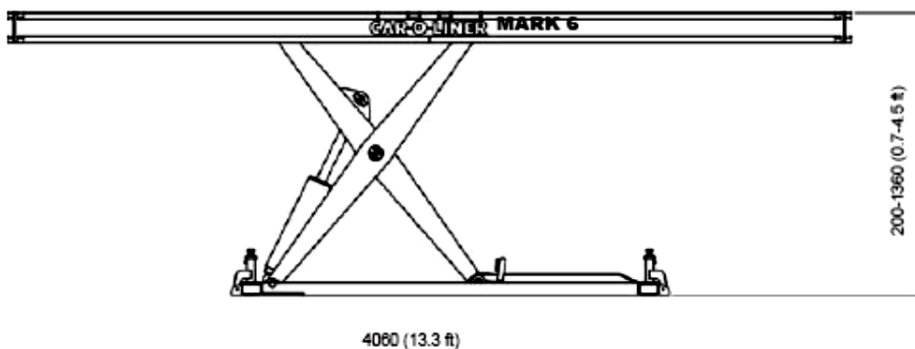
Width: 900 mm (3 ft)

Working height:

210 to 1360 mm (0.7-4.5 ft)

Lift capacity:

2800 kg (6.160 lbs)



 **CAR-O-LINER®**

Box 7 • SE-736 21 Kungsör • SWEDEN • Tel. +46 227 412 00 • Fax. +46 227 319 00,
www.car-o-liner.se • info@car-o-liner.se